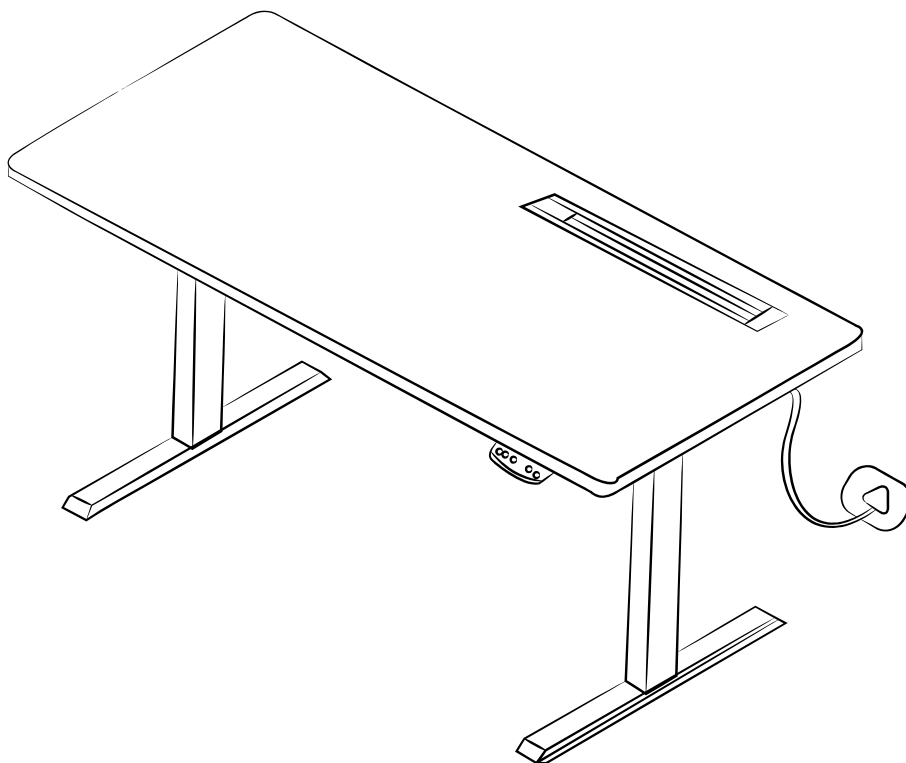




TYyli

YOU RAISE ME UP

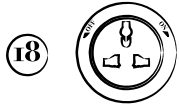
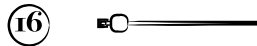
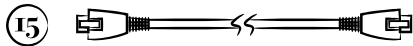
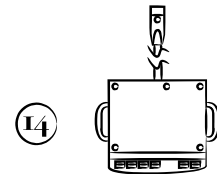
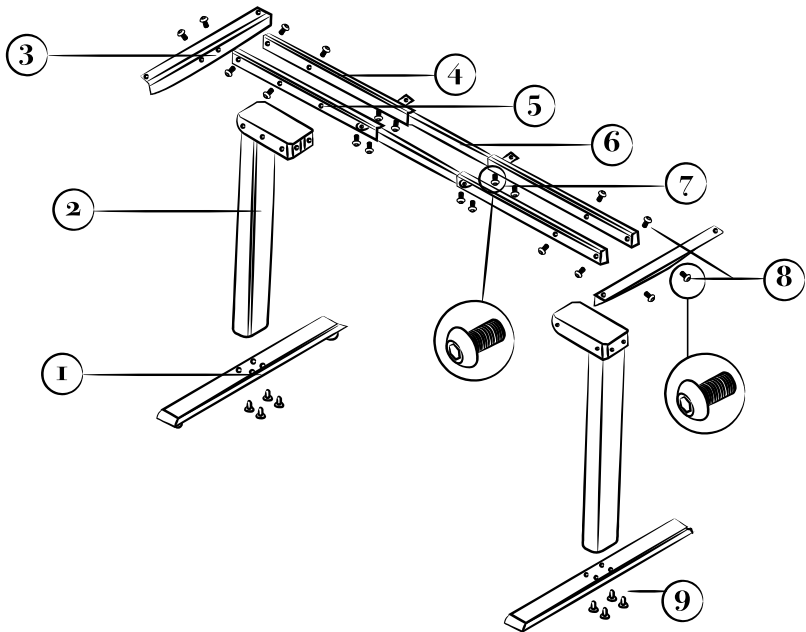
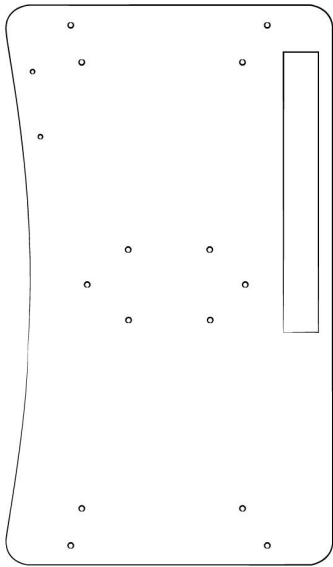
Instruction Manual



Superior Quality Originated From Germany

PARTS

Tabletop



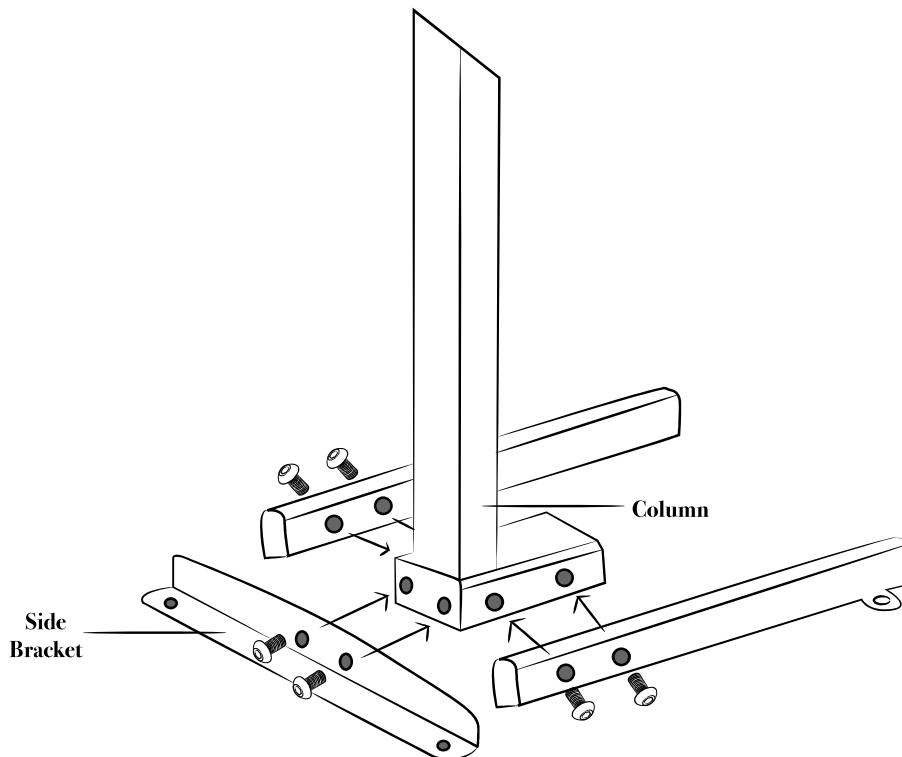
NO	Part name	Qty(PSC)
1	Base	2
2	Column	2
3	Side Bracket	2
4	Left Tube	2
5	Right Tube	2
6	Extension Tube	2
7	M6*8 Screw	8
8	M6*10 Screw	12
9	M6*30 Screw	8
10	#4 M6 Screw	8

NO	Part name	Qty(PSC)
11	ST2.9 Countersunk Head Tapping Screw	2
12	Power Plug	1
13	Power Supply Brick	1
14	Control Panel	1
15	Extension Cable	1
16	Cable Clip	8
17	Plastic Guider	8
18	Adapters	2
19	Power Track	1
20	Figure-8 Cable	2

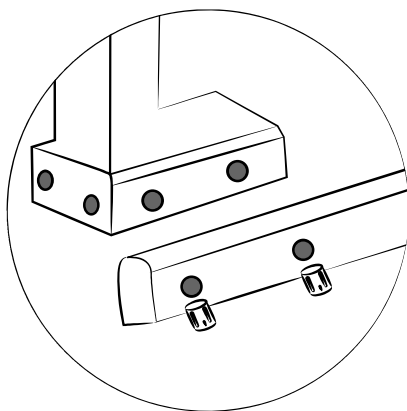
I ASSEMBLE FRAME

A. Left Column

- Insert the columns into the place between left & right tubes. The holes on the frame and column should be lined up.
- Mount the side bracket on the side of the column.
- Fasten all screws with help of the plastic guider and Allen Key provided (make sure you use the correct end of the Allen Key for this screw size).

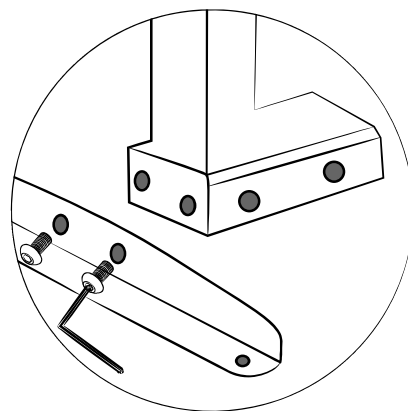


I



Plastic Guider with anchor facing outwards.

II



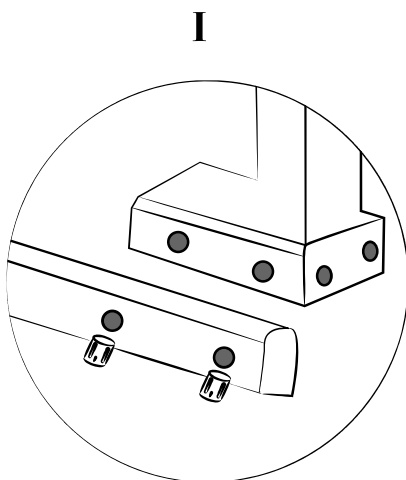
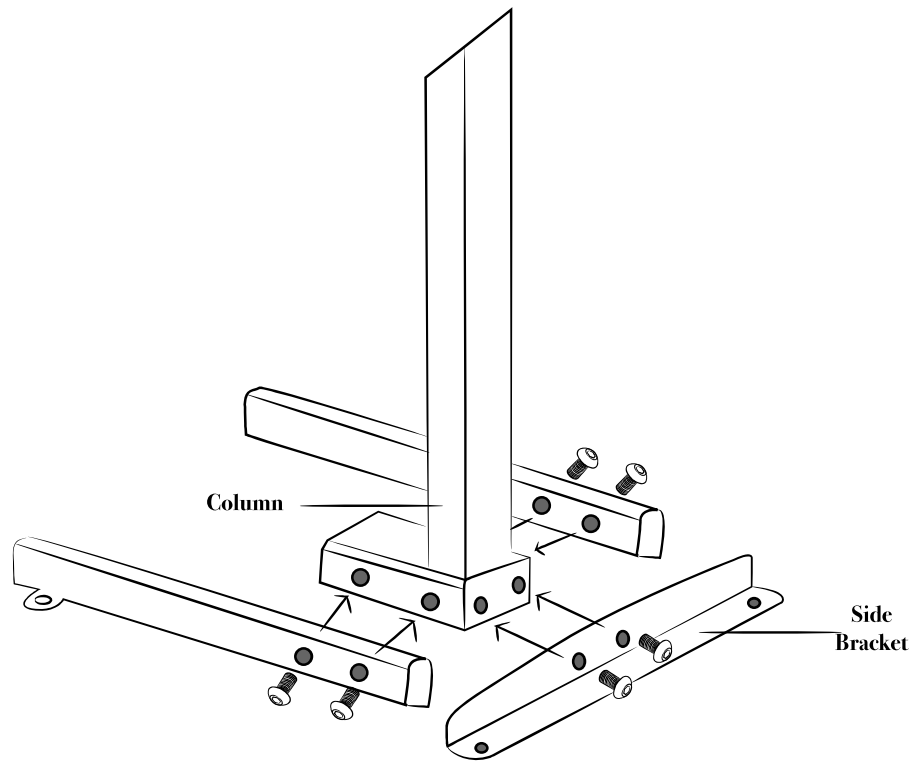
Six(6) M6x10 Screws needed here.

I ASSEMBLE FRAME

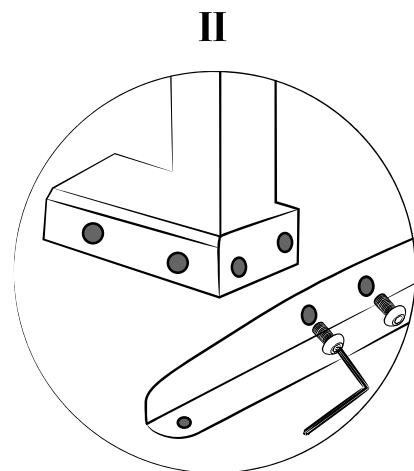
B. Right Column

Repeat same steps for the Right Column.

- Insert the columns into the place between left & right tubes. The holes on the frame and column should be lined up.
- Mount the side bracket on the side of the column.
- Fasten all screws with help of the plastic guider and Allen Key provided (make sure you use the correct end of the Allen Key for this screw size).



Plastic Guider with anchor facing outwards.

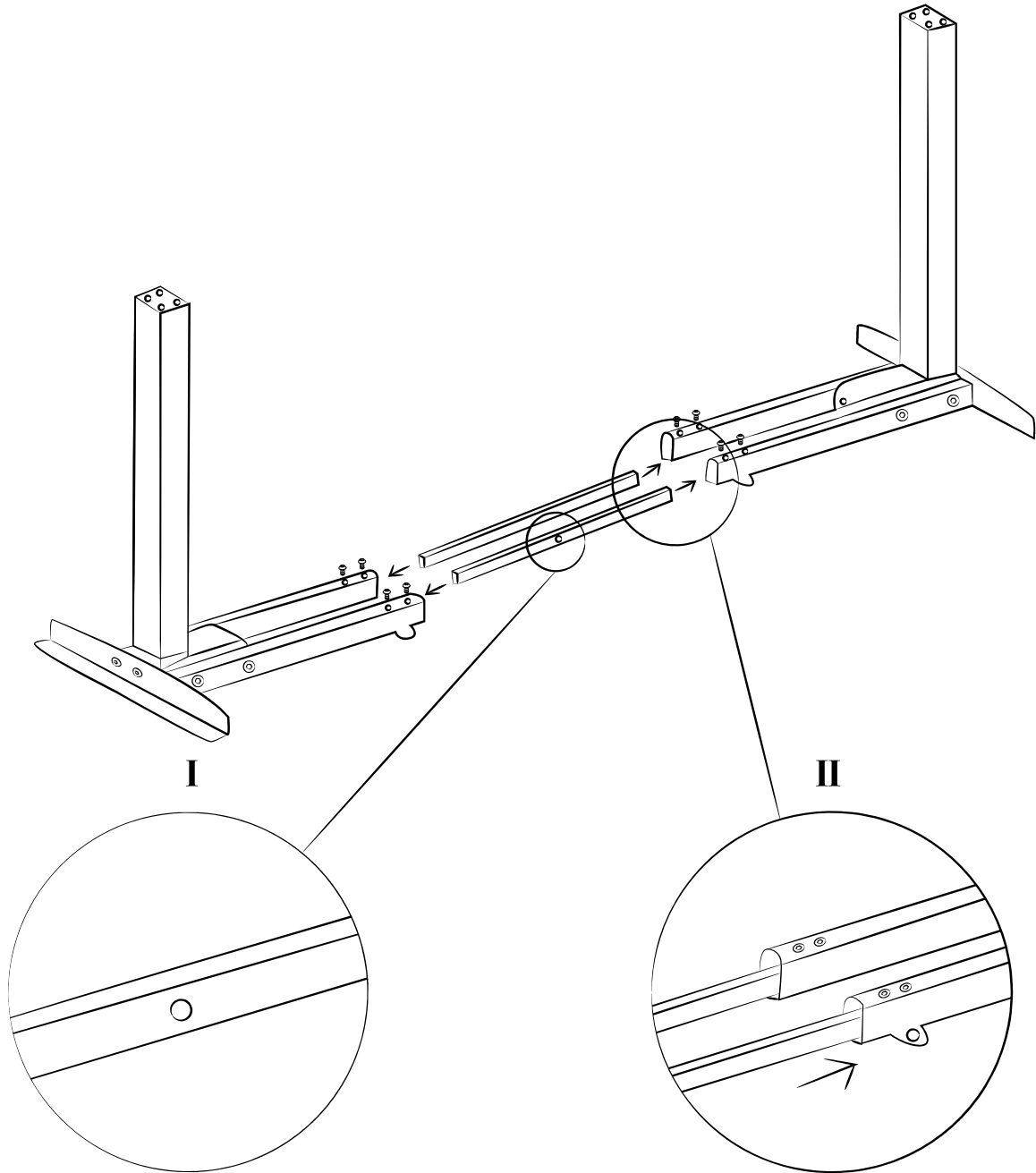


Six(6) M6x10 Screws needed here.

I ASSEMBLE FRAME

C. Extension Tube

- Set the right and left columns flat.
- Insert the extension tubes into right and left tubes as shown in picture below.
(The extension tubes will be measured against the holes on tabletop later before they are locked into position)

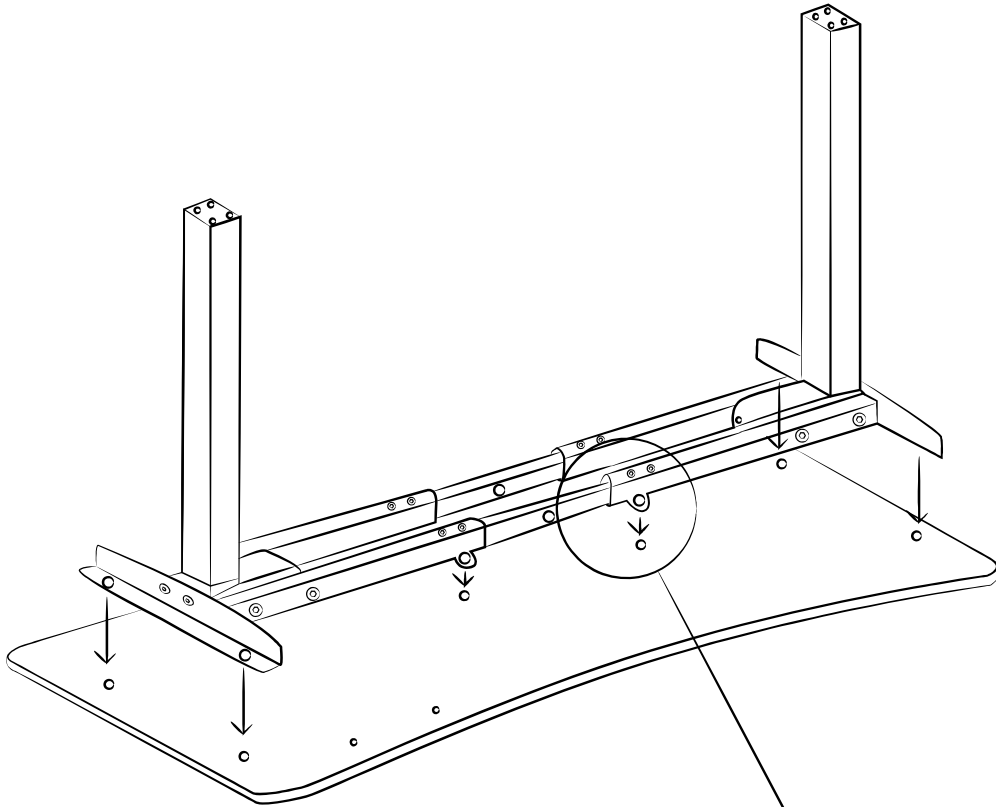


Make sure the center hole on the extension tubes face outwards.

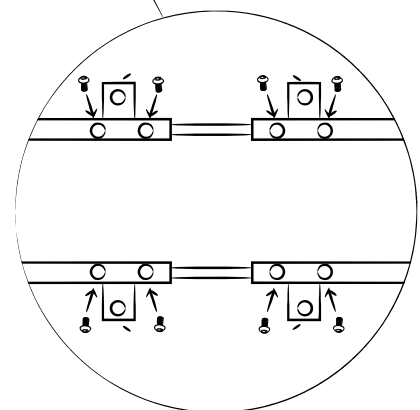
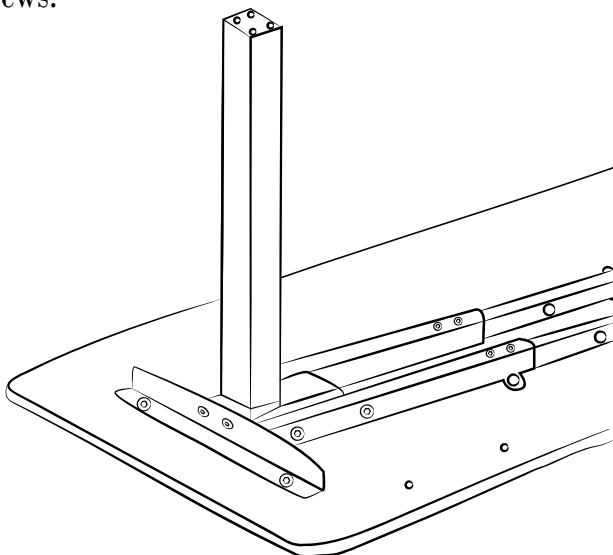
Insert the extension tubes into right and left tubes. They are not locked into position yet.

2 INSTALL FRAME ON TABLETOP

- I. Place the half-installed frame onto the tabletop.
- II. Ensure all holes are in line with the frame.



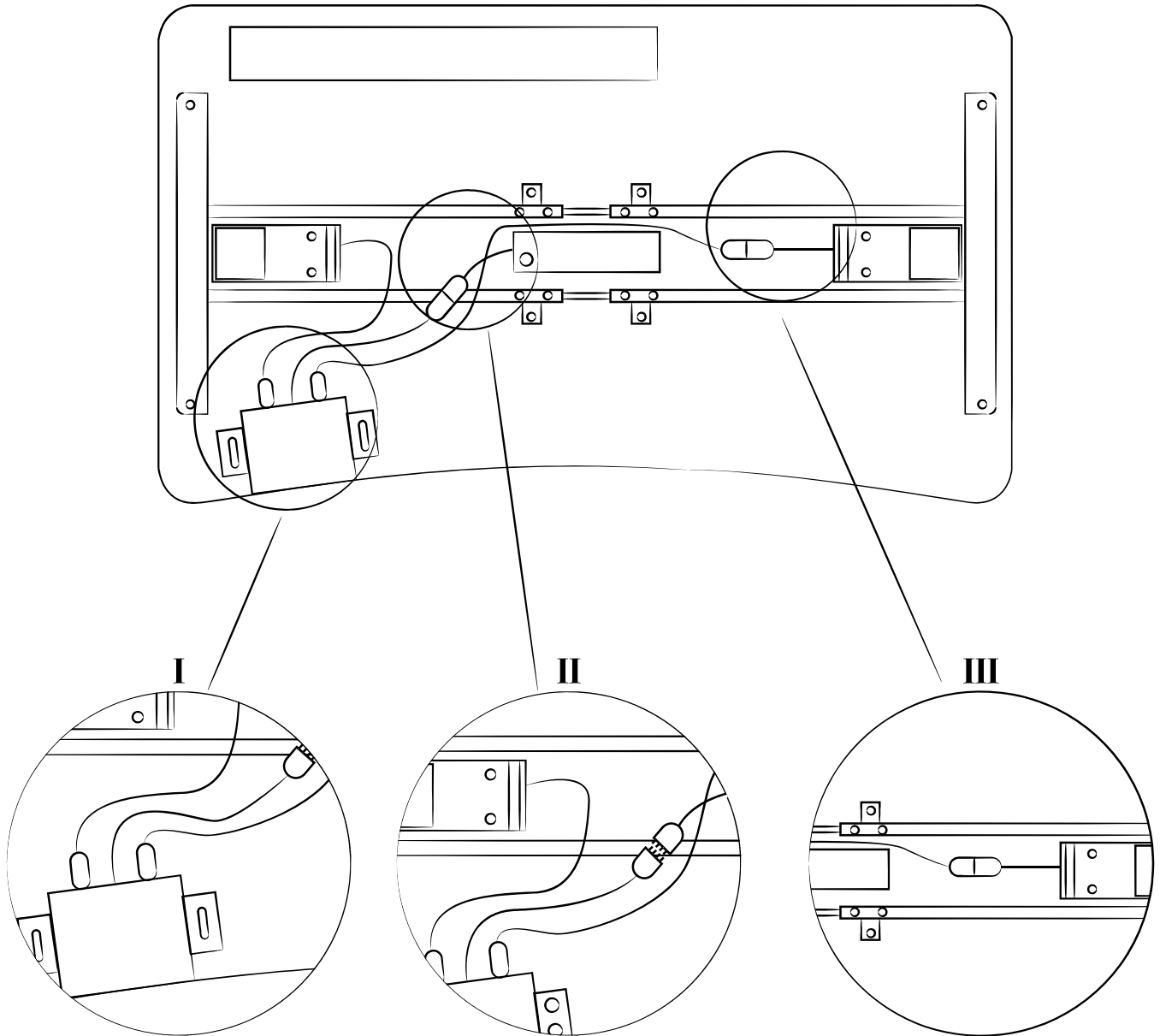
Eight(8) #4 M6 Screws needed here to screw the frame into the holes on tabletop. Use #4 Allen Key to lock in these screws.



Eight(8) M6x8 Screws needed here to lock the extension tubes in position.

3 CABLES & CONTROL PANEL

A. Link all cables together



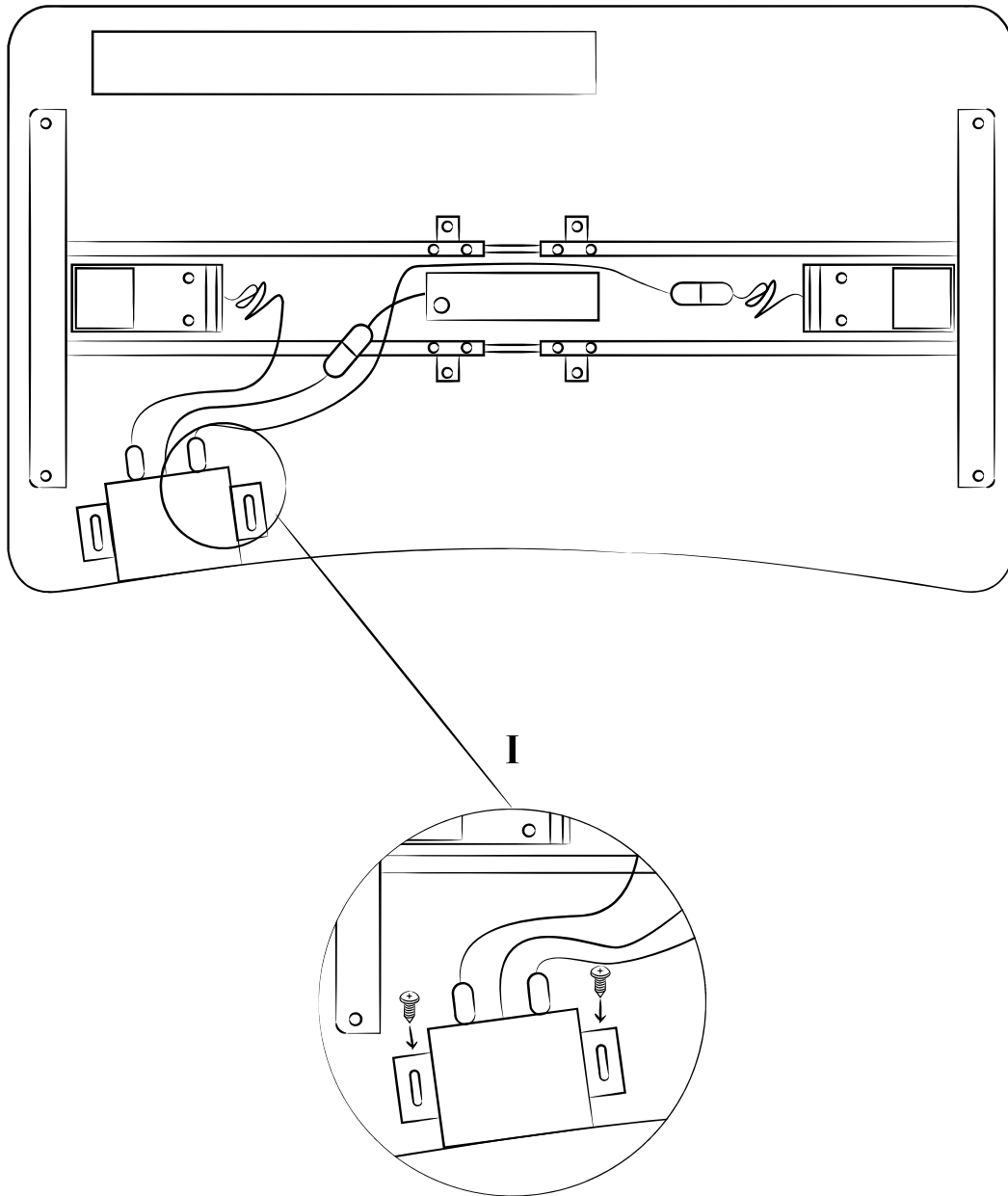
I
Connect Right Column
to Control Panel.

II
Connect power cable from
Power Supply Brick.

III
Connect Left Column to
Control Panel with the
Extension Cable.

3 CABLES & CONTROL PANEL

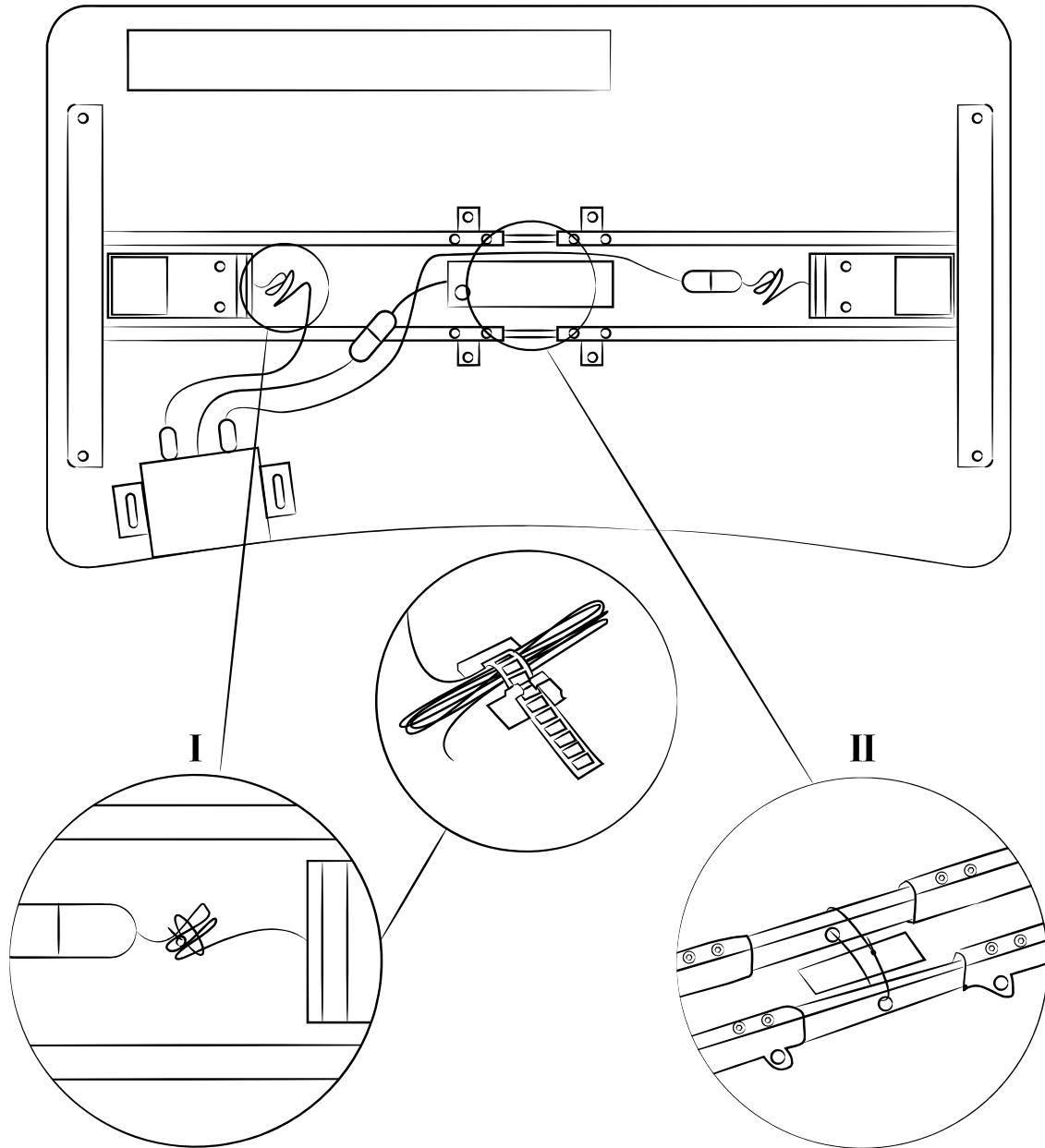
B. Install Control Panel to Tabletop



Two(2) ST2.9 Screws needed here to screw in Control Panel to Tabletop. Use the 'Mini Screw Driver 3mm' provided in Flat Pack to lock in these screws.

3 CABLES & CONTROL PANEL

C. Tidy up cables



Use Cable Clips to tidy up wires.

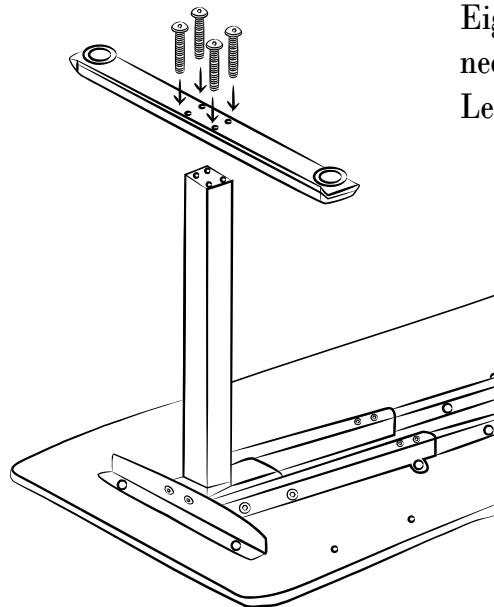
Attach Power Supply Brick with the extra cable tie.

***Latest Update:

Use Cable Net to easily store the Power Supply Brick under the tabletop.

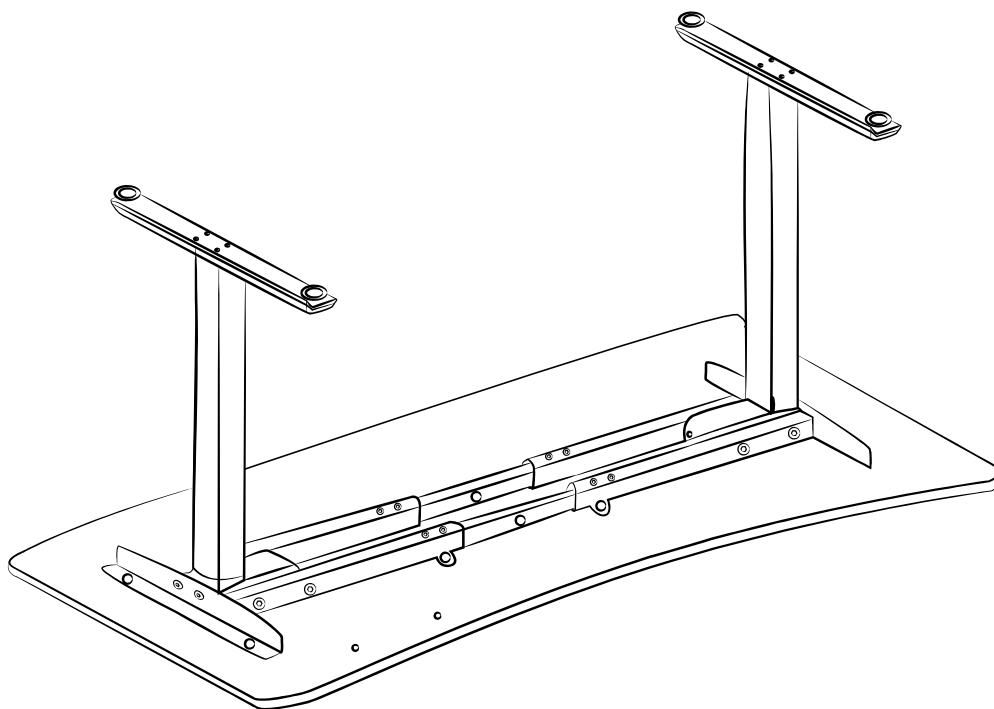
4 INSTALL BASE

I



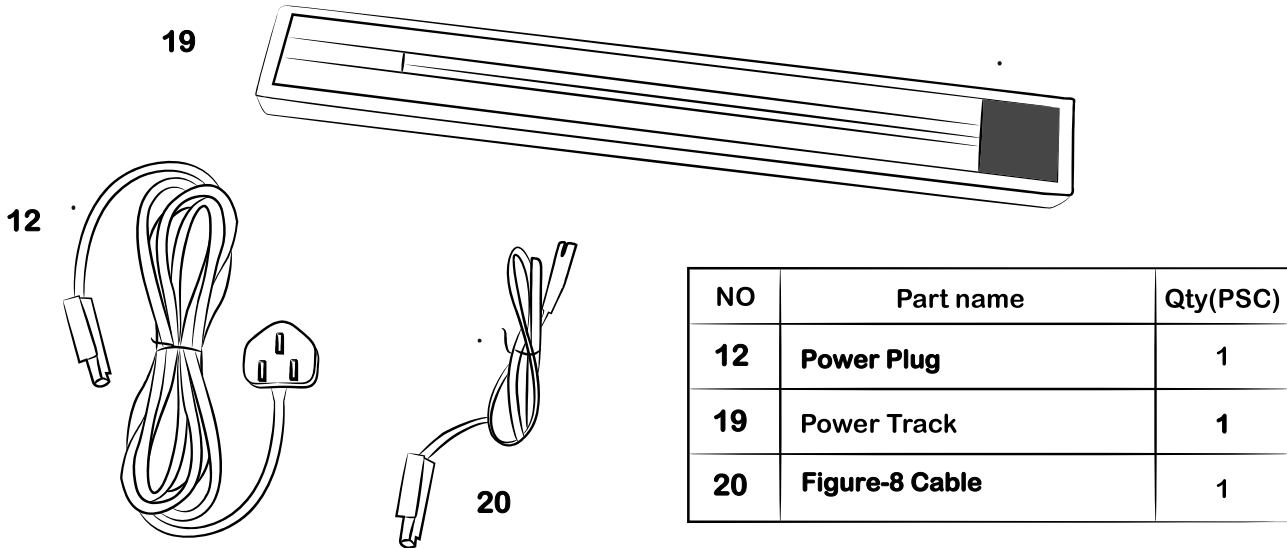
Eight(8) M6x30 Screws
needed here for both Right &
Left Columns

II

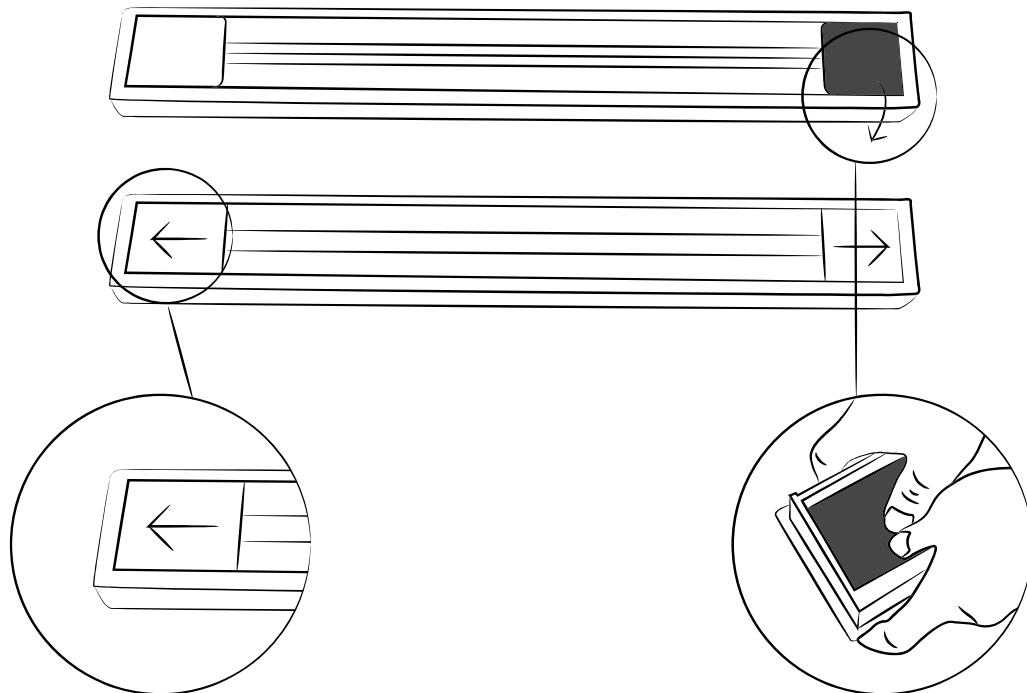


5 INSTALL POWER TRACK

I. Identify parts needed.



II. Flip to the bottom of the Power Track.

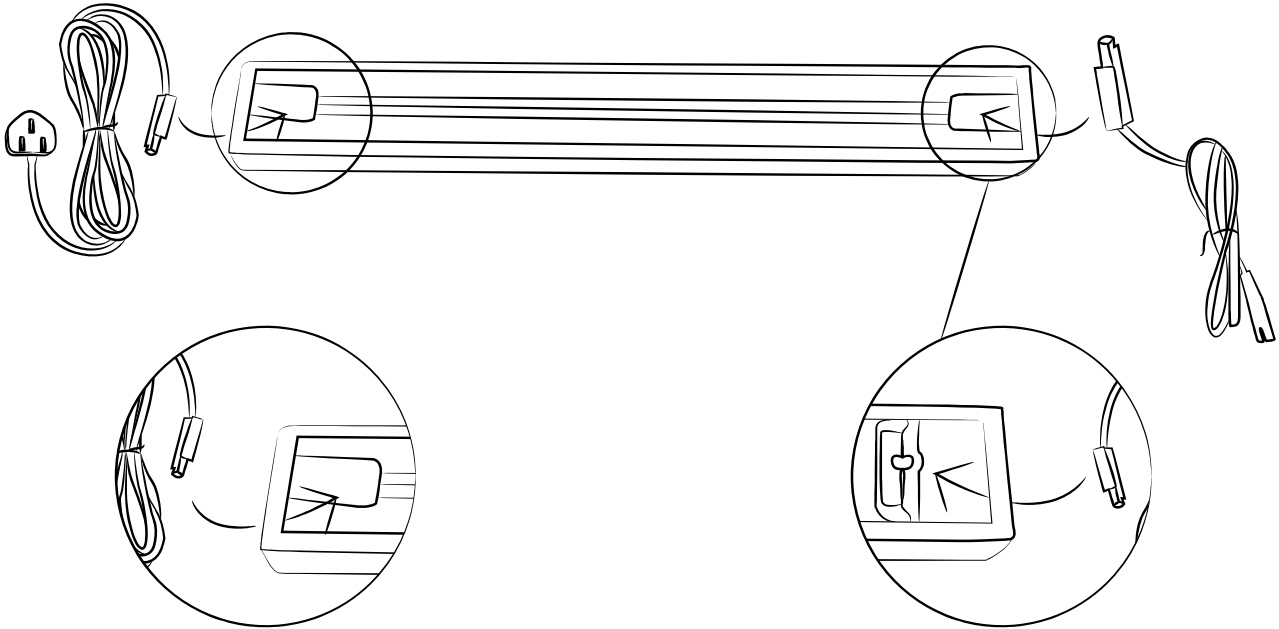


The middle part can slide freely along the length of the Power Track.

Push with both of your thumbs to uncover the lid.

5 INSTALL POWER TRACK

III. Insert plugs into both ends.

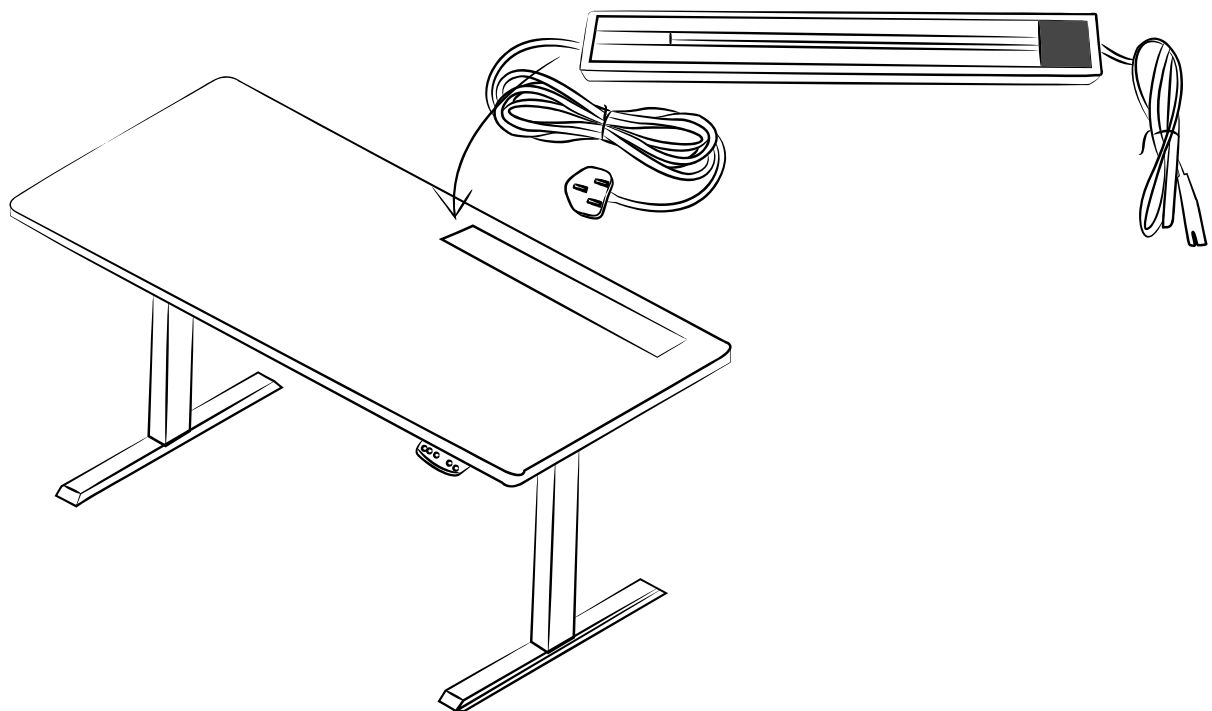


IV. On the end with logo, insert the Power Plug until you hear a "click" sound.

V. On the other end, insert the Figure-8 Cable until you hear a "click" sound.

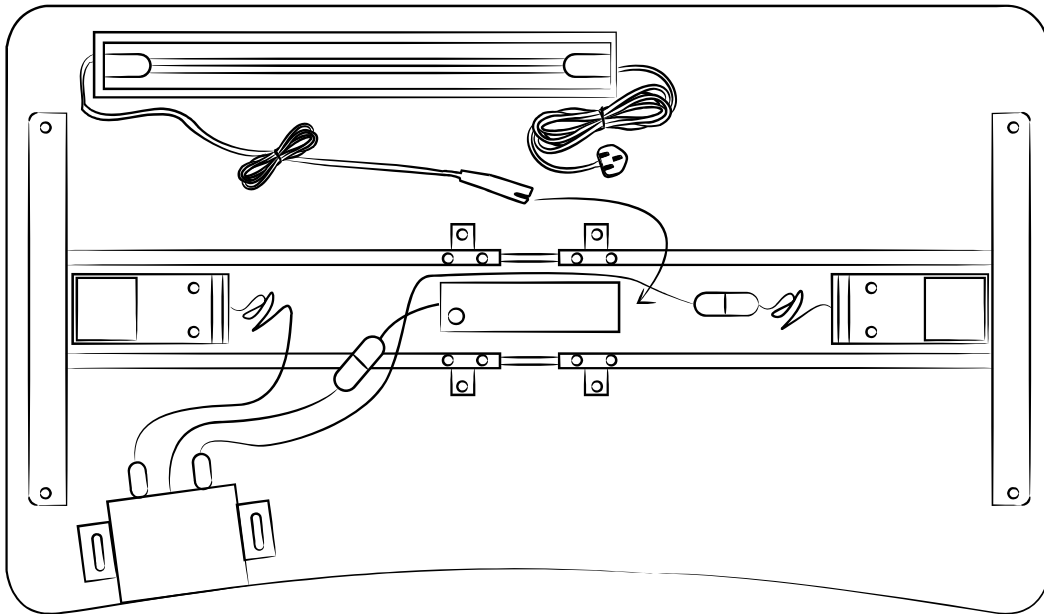
VI. Put the Power Track into the opening on the tabletop.

Note: Plugs go under the tabletop through the opening too.

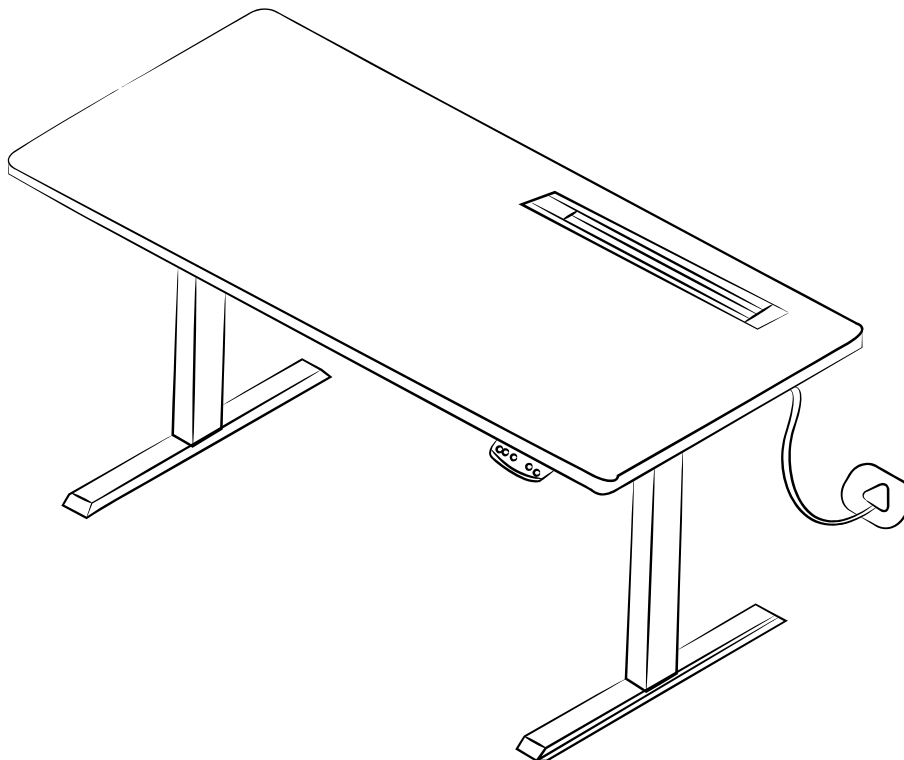


5 INSTALL POWER TRACK

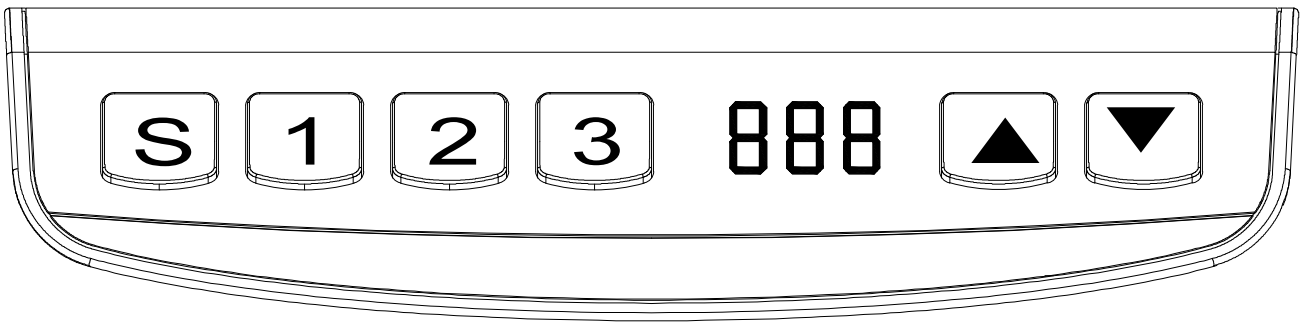
VII. Connect the Figure-8 Cable to the Power Supply Brick. Use cable clips or cable net to attach dangling parts to the tabletop.




VIII. Plug the desk into a power source to test it.



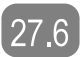



Control Panel Instruction





• Manual Reset

 It is necessary to be reset manually after the initial installation and power off.


1.   • Keep pressing down key till the desktop till display shows “E-1” and “rES” alternately and release the key.
2.  • Keep pressing down key, the desktop will move slowly down and return back till the display shows “ 70 (27.6) ” .
3. • Release the key , the height-adjustable desk resetting finished.






 Note: The anti-Collision function is not enabled during all resets. Please note that there is a potential risk of pinching in this case, and be sure no obstacles in the desk's path.

• Up and Down


1.  • Keep pressing "up" key till the required height is reached.
2.  • Keeping pressing "down" key till the required height is reached.


• Saving position

 Press and hold the memory key until the columns have reached the desired memory position.

1.   • Adjust the desktop to the height you want to save
2.  • Press “S” key , till the display will show “S --”
3.  • Press "1" , and the display will show alternately as “S-1” and the desktop height.
4.  • Press “S” key, the first memory position is set successfully .Similar progress for 2 and 3 memory positions.

• Anti-Collision function

 Before use, please make sure removing obstacle in advance and human body is in the safe position.

1.  • Once the desktop encounters any obstacle in its path, the screen displays “E-2”.
• The desktop will move a defined distance in opposite direction, and it would be used normally after removing the obstacle.

Control Panel Instruction

● Container and self-stop positions



Do not enable this function only when you are really need in some situation.

1. • Keep pressing the key “S” for 3 seconds till the display shows “S--” to enter setup menu.
2. • Press up key till the display flash as “HLP”.
3. • Press “1”, the display show alternately as “H-P” and current height.
4. • Keep pressing up or down key till the required upper limit position is reached.
5. • Press “S”, the desktop height will be showed and the shelf stop position has been set.
6. • Press “2”, the display will show alternately “L-P” and current height, keep pressing down key till the lower limit position is reached, press M, the container stop position has been set.

Note: By this function would be used to limit the movement area of desktop, when the container is underneath or any shelf above the desktop. Once it is set, the new upper or lower limitation position will be stored.

● Change the displayed Unit(cm/inch)

1. • Keep pressing key “S” till the display show “S--” to enter the setup menu.
2. • Press “up” key, the display will show “Unt”.
3. • Press “1”, and the display will show alternately as “Unt” and the desktop height unit by “cm”.
4. • Press “S” key to save the unit as cm.
5. • Press “2”, and the display will show alternately as “Unt” and the desktop height unit by “inch”,press key “M” to save the unit as inch.

● Amend the desktop height displayed

1. • Keep pressing down key till the desktop till display shows “E-1” and “rES” alternately and release the key.
2. • Keep pressing key "S" till the display show "A - - " alternately.
3. • Keep "Up" or "Dn" several times, till the display show "End" and height.(In this case, the unit is mm or inch when this system's metric or imperial)
4. • Press "1","2" and "3" respectively, and to adjust the first number, the second number and the third number. If you click one, the number will increase by 1,till you get to the value you want.

Note: The function enables you to change the height shows on the display based on the actual measurement.

Control Panel Instruction

5. **S** • Press "S" the height has been changed to defined digit.

• Plug detection

i The function can detect whether the motors are collected normally.

1. **E-3** **rES** • Once the display shows "E-3" and "rES", it reminds you check whether any motors fail connected with control unit. Please connect the main cable again, wait at least 5 seconds.
2. • Connect all the plugs.
3. **rES** • Follow manual reset procedure.

• Reset to factory setting

i With this function, you can make the control unit to factory setting.

1. **S** • Keep pressing "S" till the display shows "FAC".
2. • Press "S", and the control unit to factory setting (including memory position, container-and shelf-stop position, etc).

Code and Trouble Shooting

【Code meaning】

Code	Information	Operating
rES	Manual resetting	Refer to the progress of manual reset
ovr	Overloading	Remove the load on desktop till it less than 800N (175 LBS) for further operation
E-2	Anti-Collision function	It can be used normally after removing the obstacle
dut	Operated continuously without suitable rest	Make the desk rest around 15minutes for further operation

【Trouble shooting】

Code	Operating
E-4 / The height between two legs exceed 1 inch	Stop the operation and reset, refer to Manual reset
E-3	Check the cables and ensure they are well connected, and the height-adjustable desk can be used normally after manual reset