

Grill needed: (Total 8 units)

1) Grille 01 – 1 unit

SLIDING DOOR TRACK TO MANUF'S DETAIL

25 x 25 x 2.3mm THK. M.S SHS FRAME; PAINTED

25 x 3mm THK. M.S FLAT BARS; PAINTED

HOOK LOCK

16 x 3mm THK. M.S FLAT BARS; PAINTED

1800

900 900

1050

2100

1050

FFL

GRILLE 01

DESCRIPTION	1800mm (W) x 2100mm (H) SLIDING M.S DOOR
GRILLE FRAME	25 x 25 x 2.3mm THK. M.S SHS - (MOUNTED EXTERNALLY)
IRONMONGERY	
LOCATION	DINING (TYPE A1, A2 , B1 , B2), LIVING (TYPE A, B)

2) Grille 03 – 2 units

25 x 25 x 2.3mm THK. M.S SHS FRAME; PAINTED

25 x 3mm THK. M.S FLAT BARS; PAINTED

16 x 3mm THK. M.S FLAT BARS; PAINTED

600

2100

1200

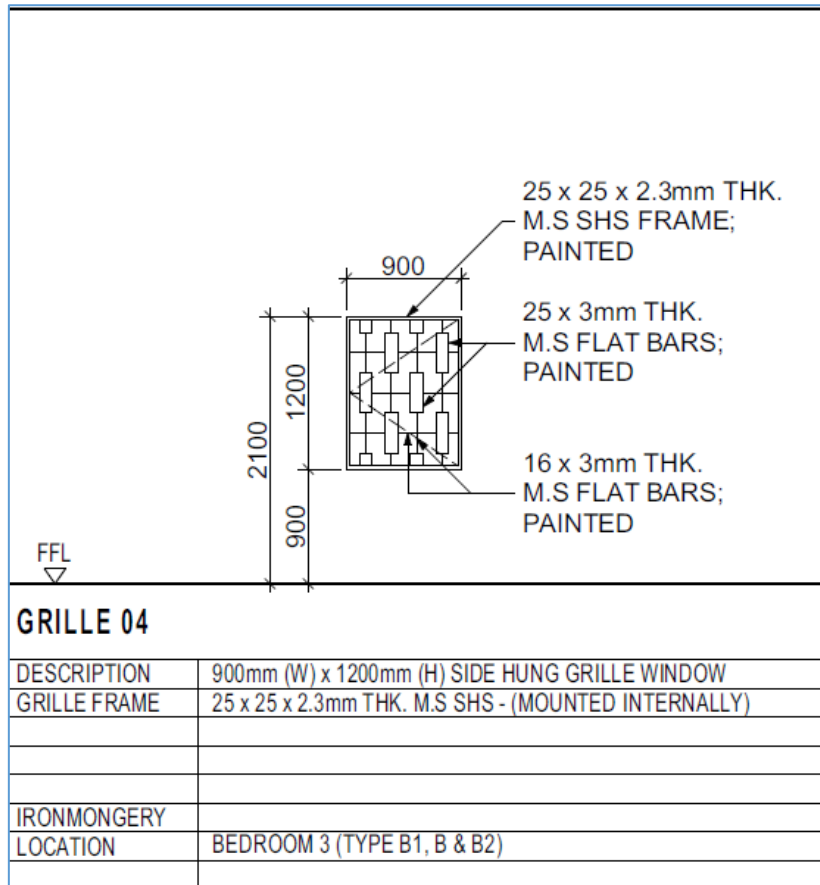
900

FFL

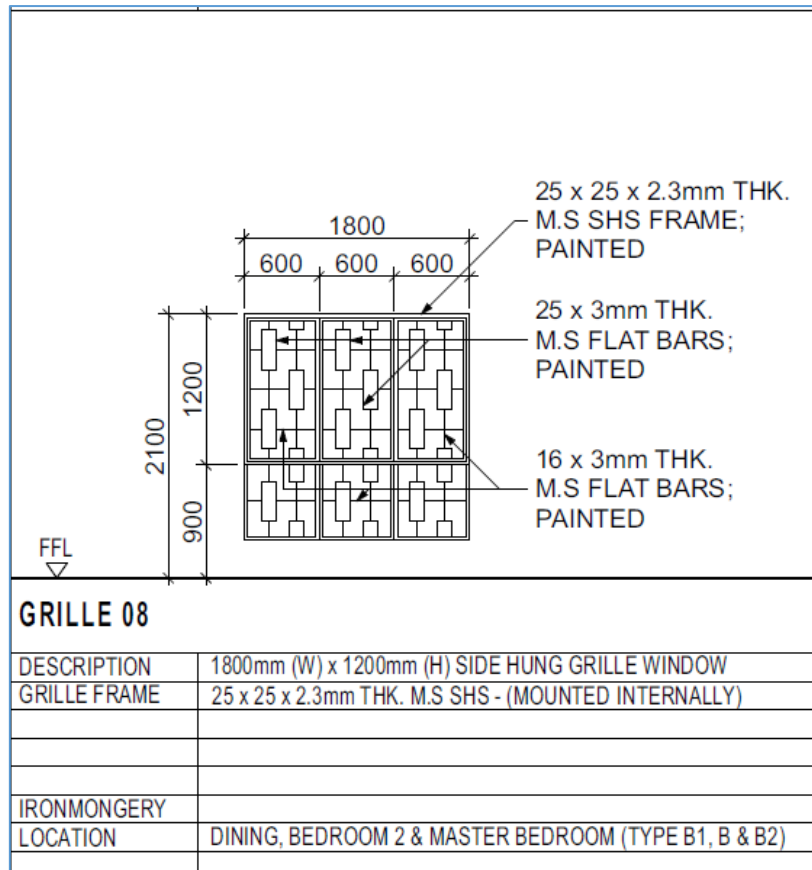
GRILLE 03

DESCRIPTION	600mm (W) x 1200mm (H) SIDE HUNG GRILLE WINDOW
GRILLE FRAME	25 x 25 x 2.3mm THK. M.S SHS - (MOUNTED INTERNALLY)
IRONMONGERY	
LOCATION	FOYER (TYPE A1 & A2), LIVING (TYPE A1 & A2) LIVING (TYPE B1 & B2), DINING (TYPE B1 & B2)

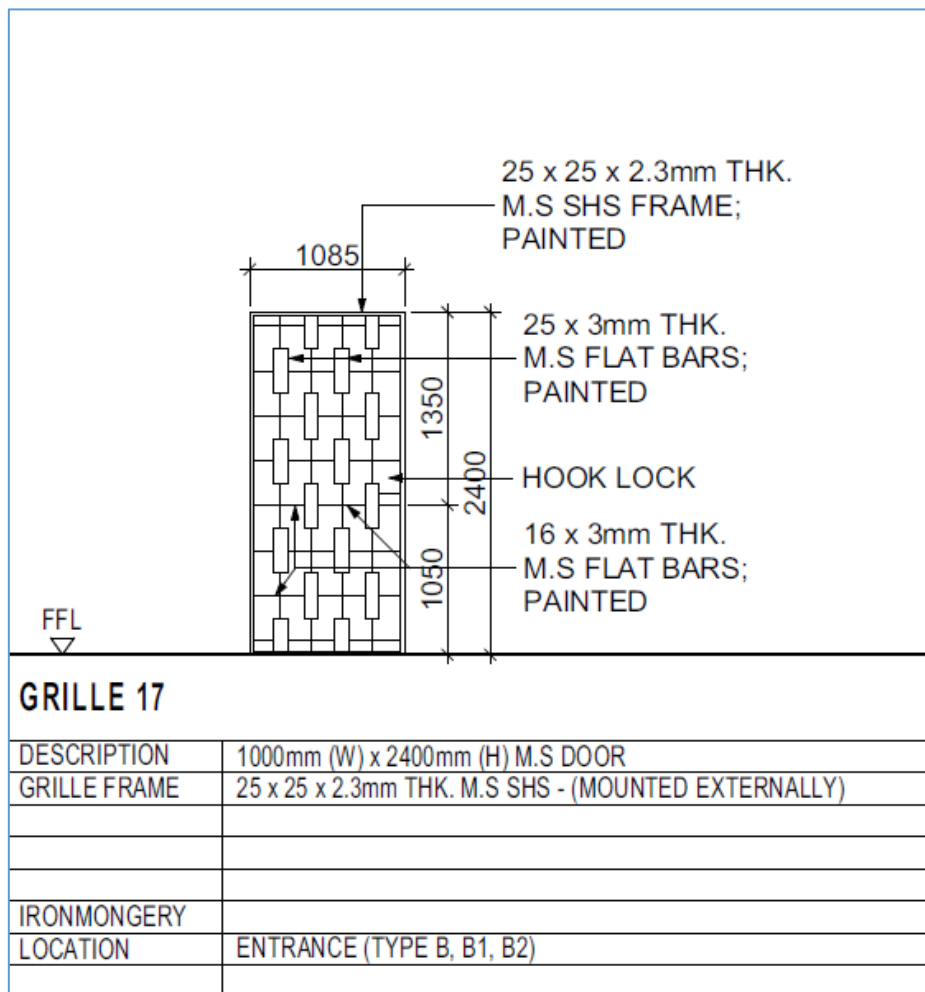
3) Grille 04 – 1 unit



3) Grille 08 – 3 units



4) Grille 17 – 1 unit



Isometric View:

