


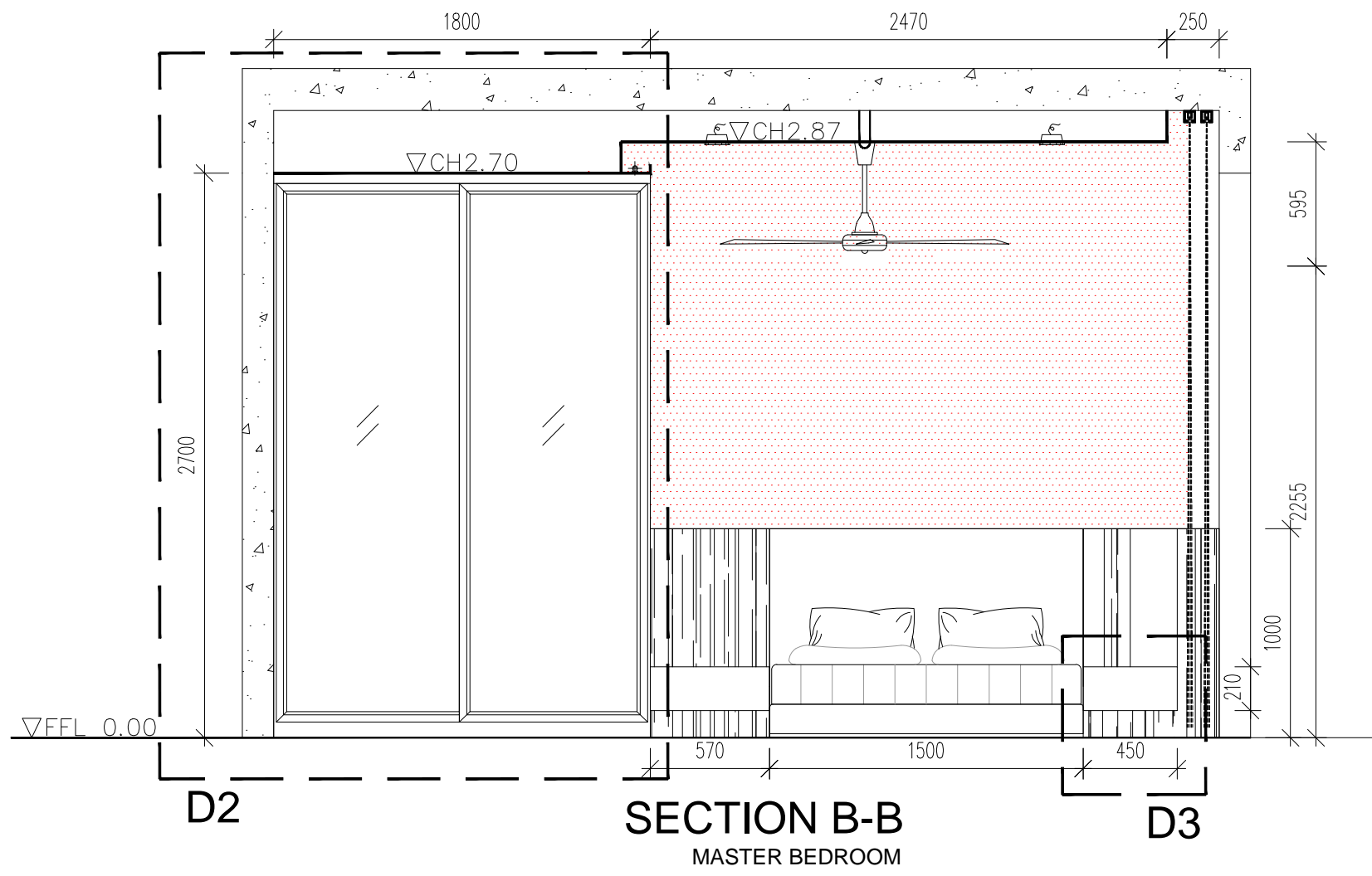
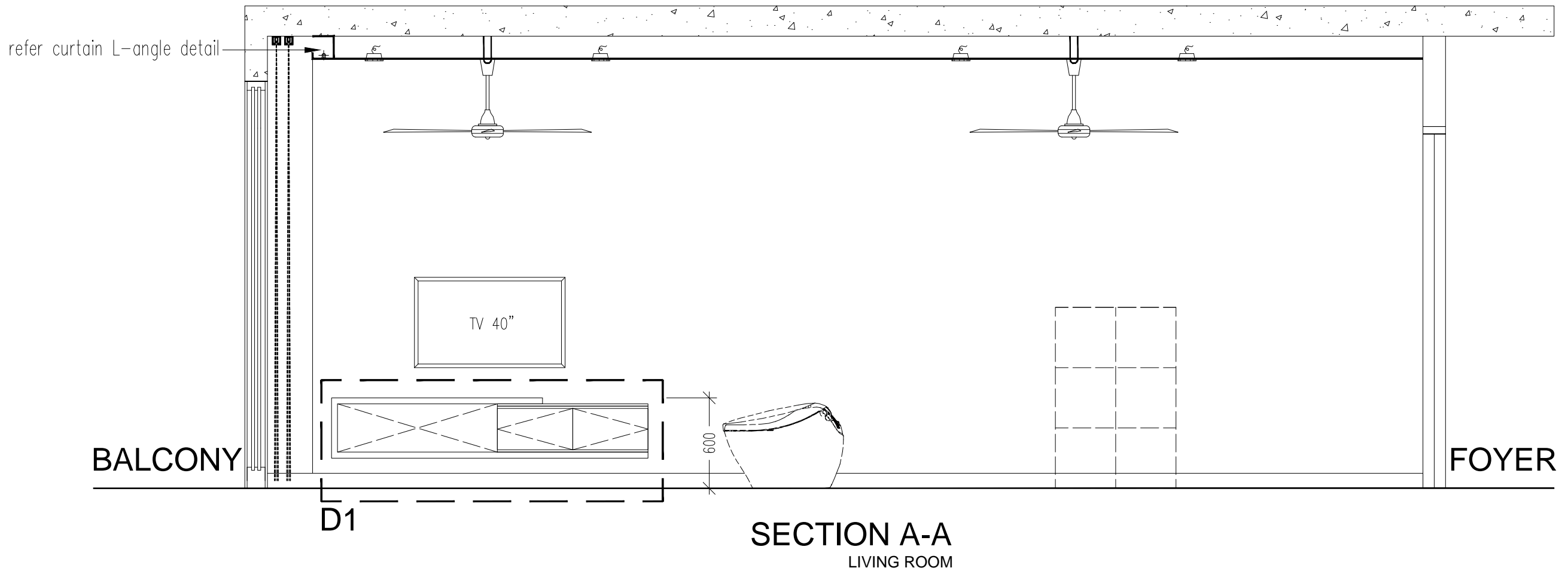
**REFLECTED CEILING PLAN**  
SCALE 1:50

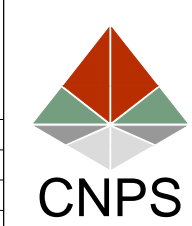
Description	Qty	Unit
<b>Ceiling Works (Dwg. No : A.002)</b>		
Plaster Ceiling To supply & install new plaster ceiling works with : 8mm thk Plain Plaster Ceiling Include Aluminium Frame	425	sqft
Light Trough -(2'0" Depth)	25	frun
Curtain L Box	20	frun
Ceiling Light opening	17	unit
<b>M&amp;E Works (Dwg. No : A.002)</b>		
Cabelling (Wiring) with Switches -All Conceal c/w conduit		
Ceiling Light	17	unit
Ceiling Fan	4	unit
Power Plug Point (13 Amp)	10	unit
Cooker hood point	1	unit
Ceramic Hob point	1	unit
Oven Point	1	unit
A/C Point (Bedroom 2 & 3)	2	unit
<u>Light Installation</u> To install Down Light	17	unit

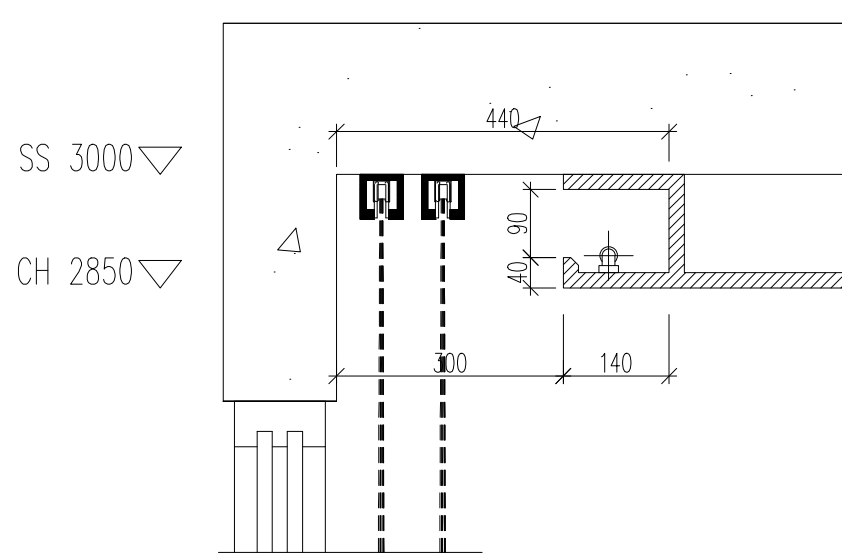
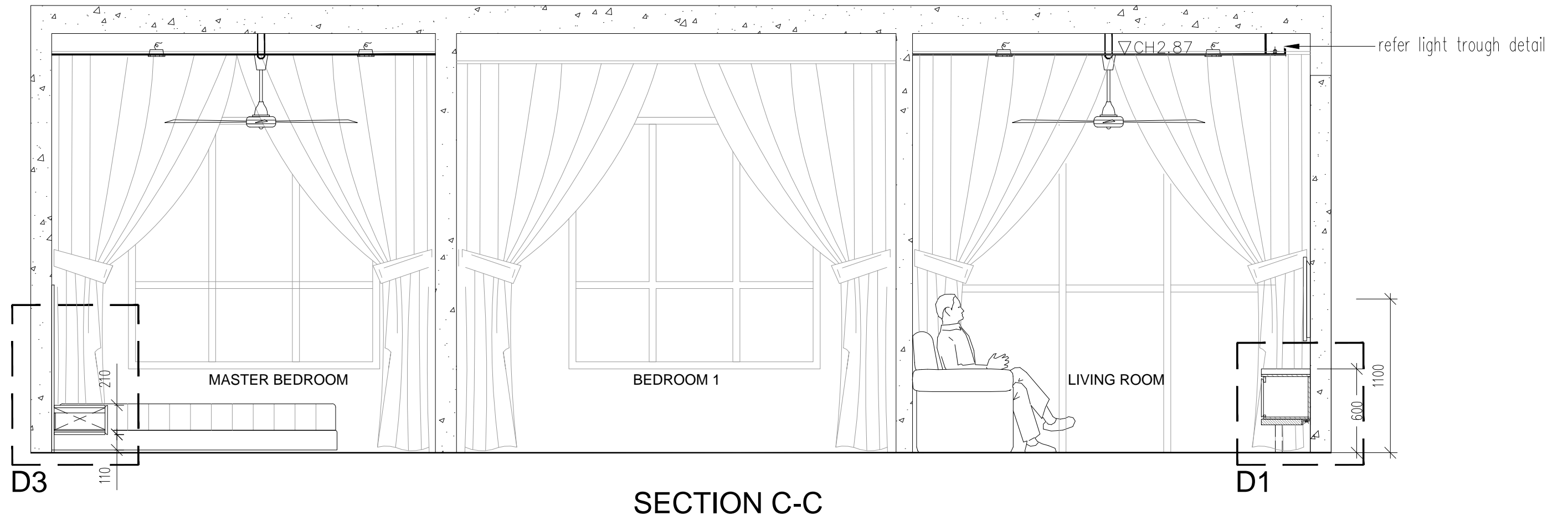
SKY AVANI I		B- 31-11
Drawing Title :		
<b>REFLECTED CEILING PLAN</b>		
Draw by	CHIA NEE	
Scale	1 : 50	
Date	AUGUST 2018	
Drawing No.	A. 002	



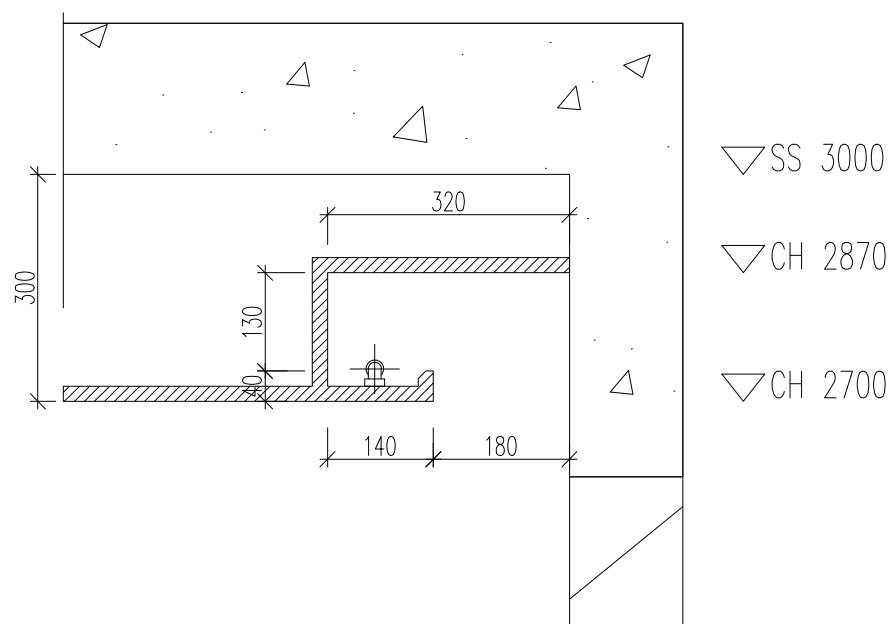
**CNPS**




SKY AVANI I		B- 31-11	 <b>CNPS</b>
Drawing Title :			
<b>SECTION A-A</b>			
<b>SECTION B-B</b>			
Draw by	CHIA NEE		
Scale	1 : 30		
Date	AUGUST 2018		
Drawing No.	A. 003		

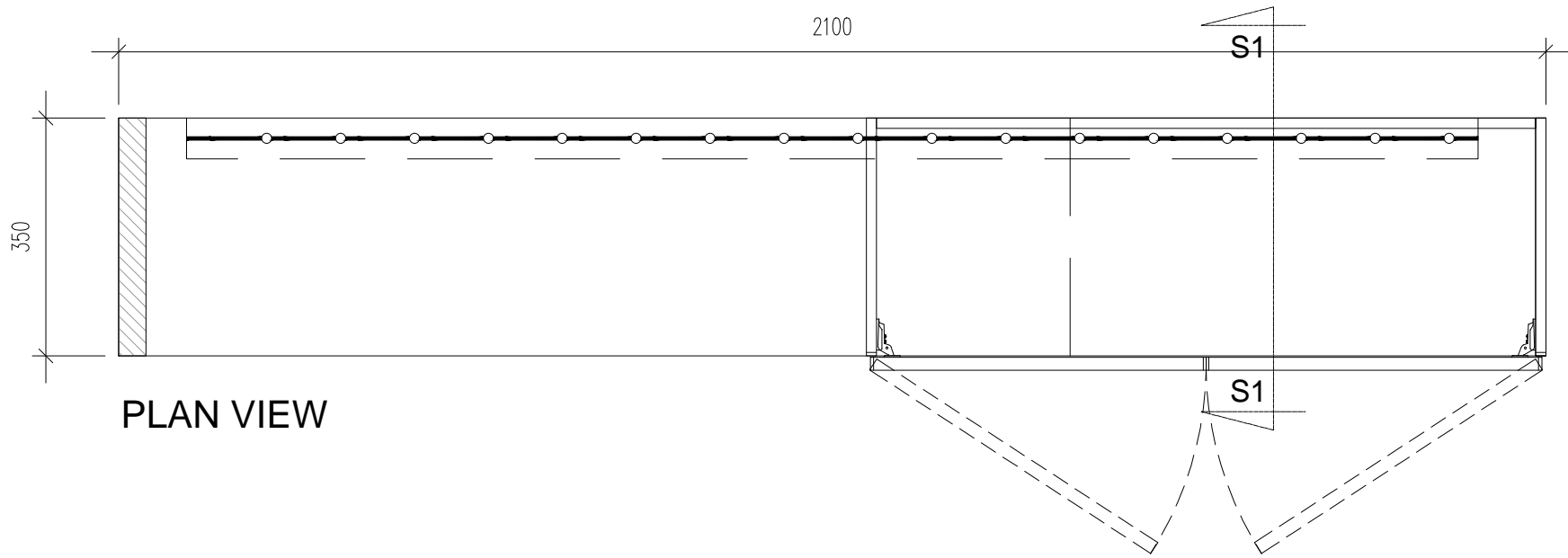


CURTAIN L-ANGLE DETAIL

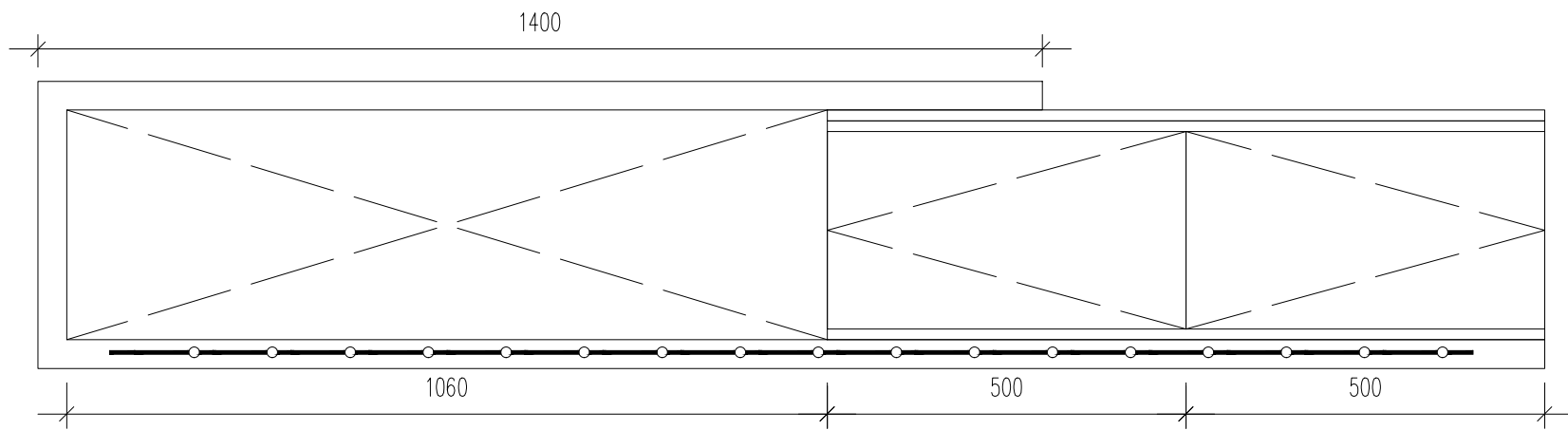


LIGHT TROUGH DETAIL

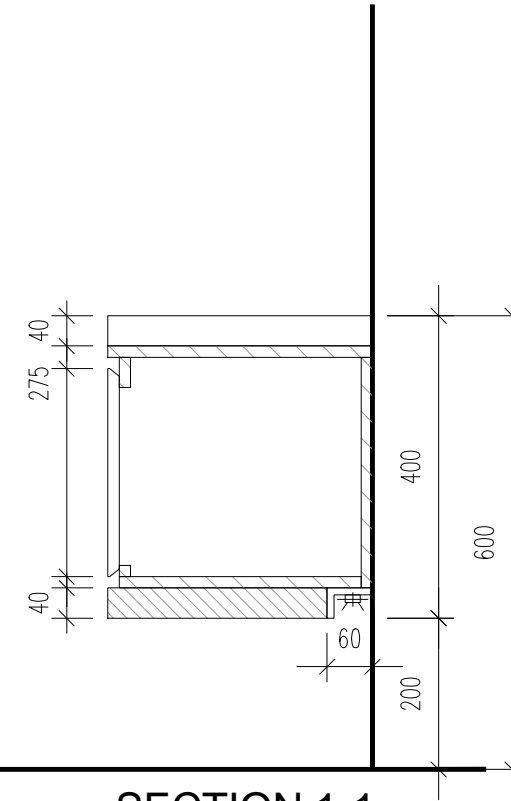
SKY AVANI I		B- 31-11	 <b>CNPS</b>
Drawing Title :			
SECTION C-C			
Draw by	CHIA NEE		
Scale	1 : 30		
Date	AUGUST 2018		
Drawing No.	A. 004		



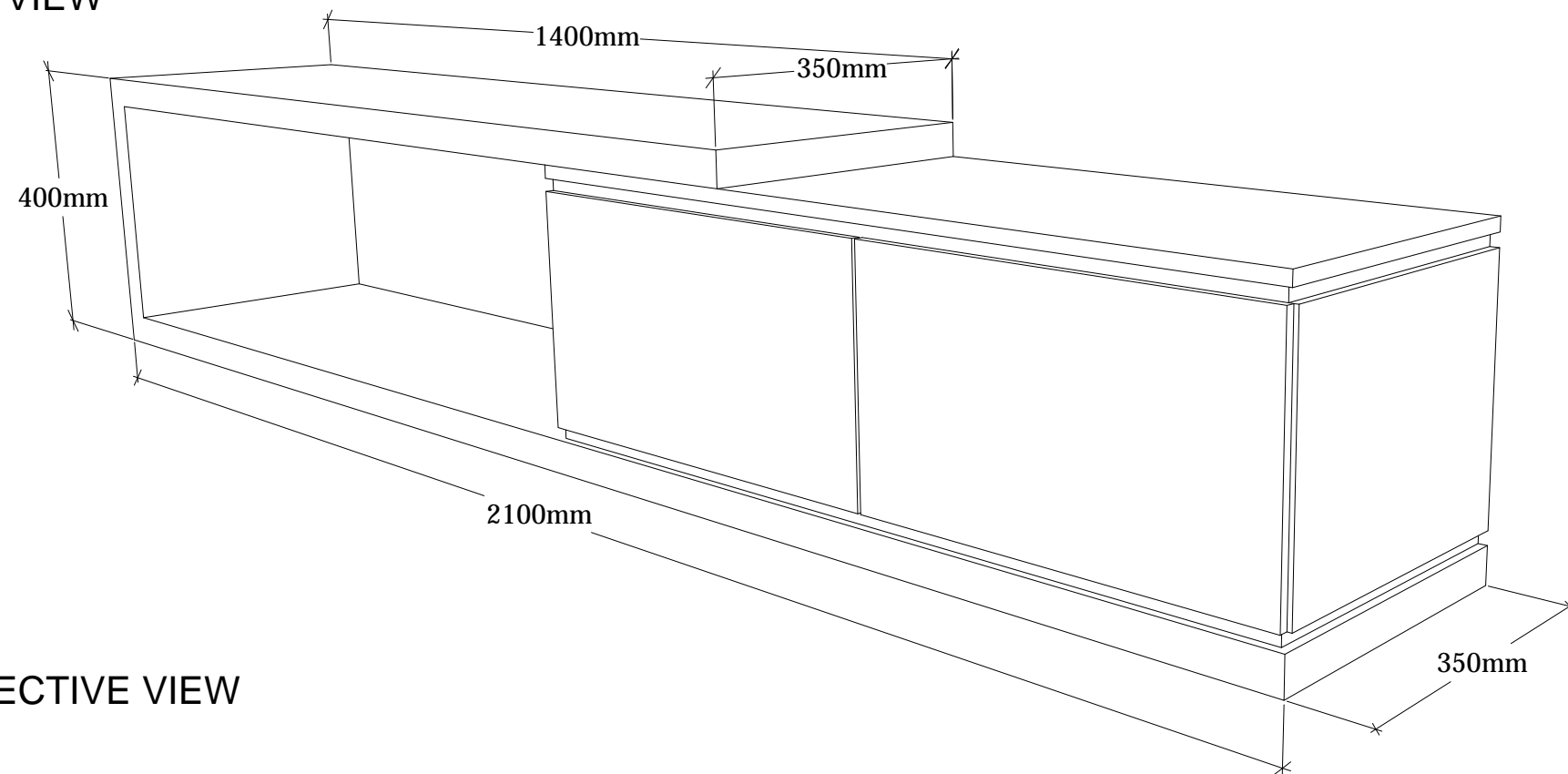
PLAN VIEW



FRONT VIEW



SECTION 1-1

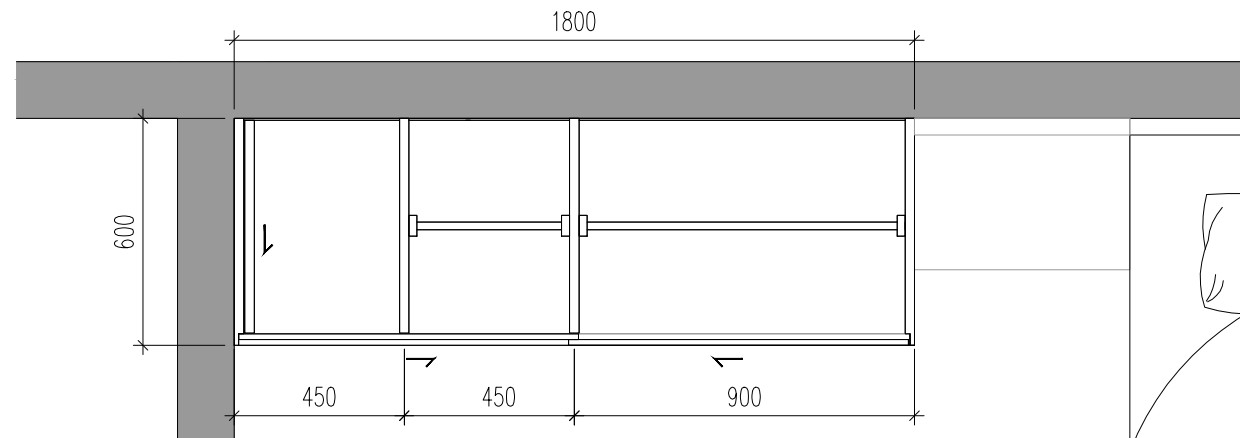


PERSPECTIVE VIEW

SKY AVANI I		B- 31-11
Drawing Title :		
TV CONSOLE DETAIL		
Draw by	CHIA NEE	
Scale	1 : 10	
Date	AUGUST 2018	
Drawing No.	D. 001	



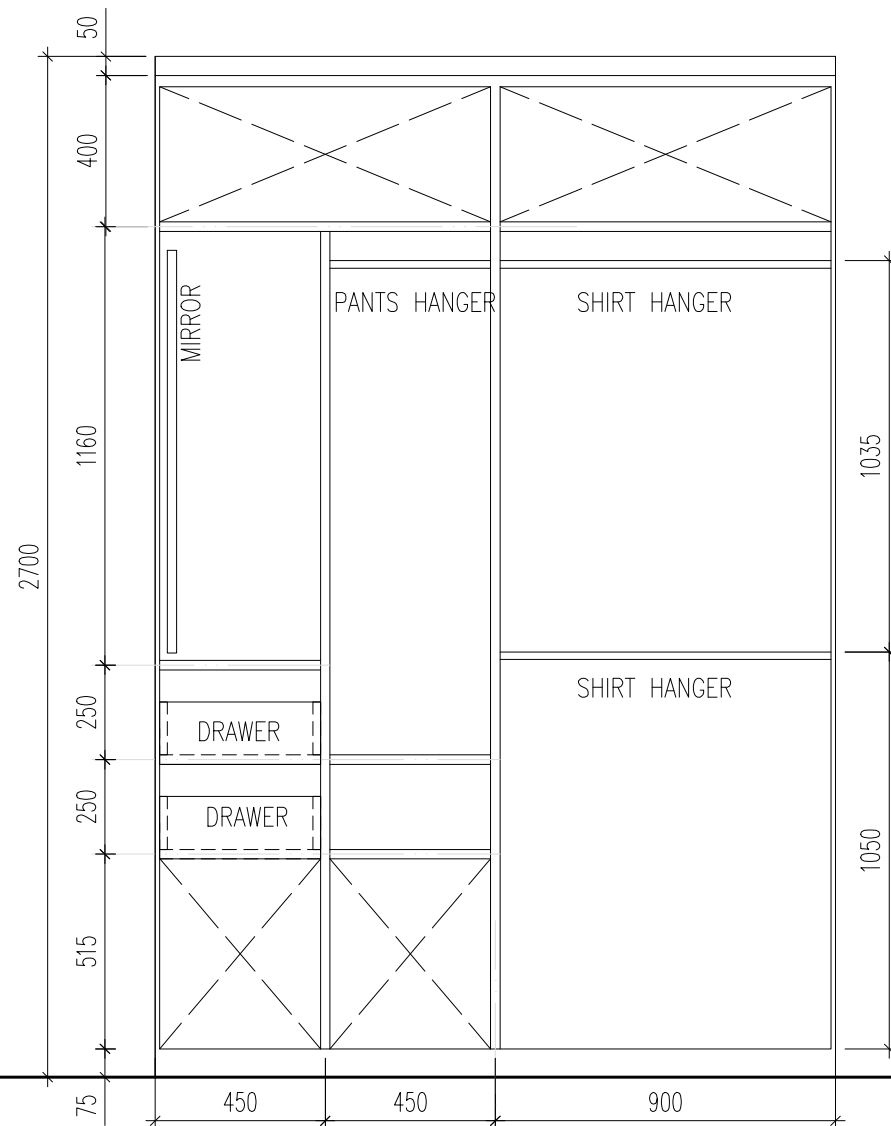
CNPS



PLAN VIEW



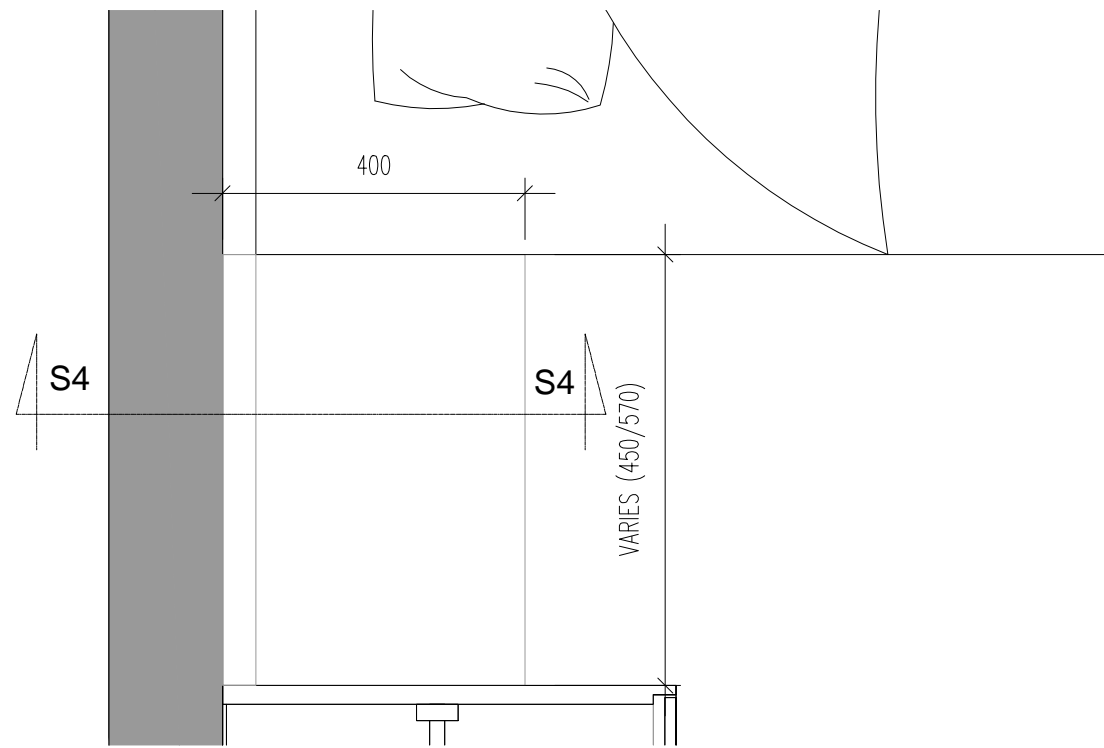
WARDROBE DOOR



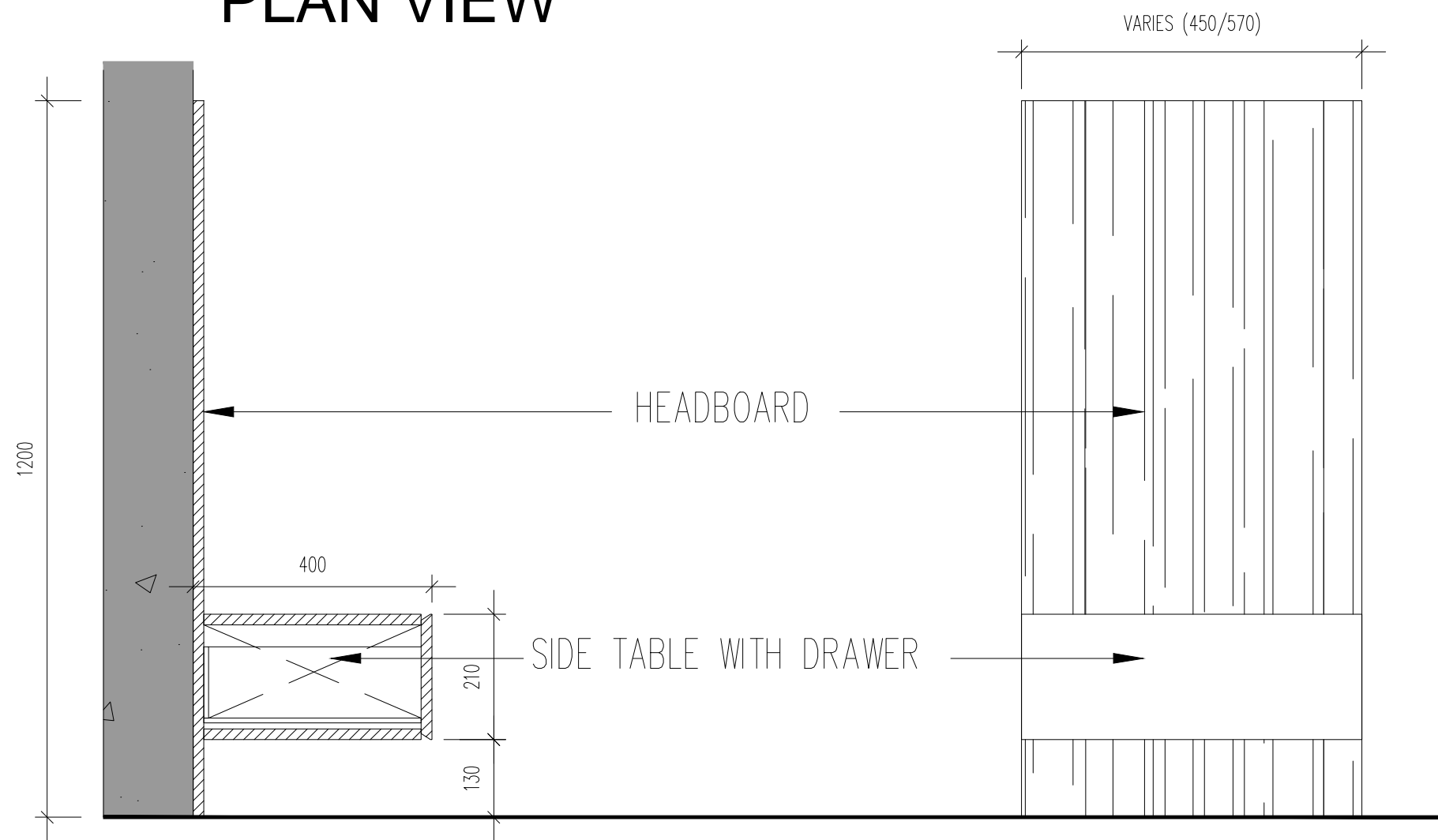
INTERNAL PARTITION

SKY AVANI I		B- 31-11	
Drawing Title :			
WARDROBE DETAIL			
Draw by	CHIA NEE		
Scale	1 : 20		
Date	AUGUST 2018		
Drawing No.	D. 002		






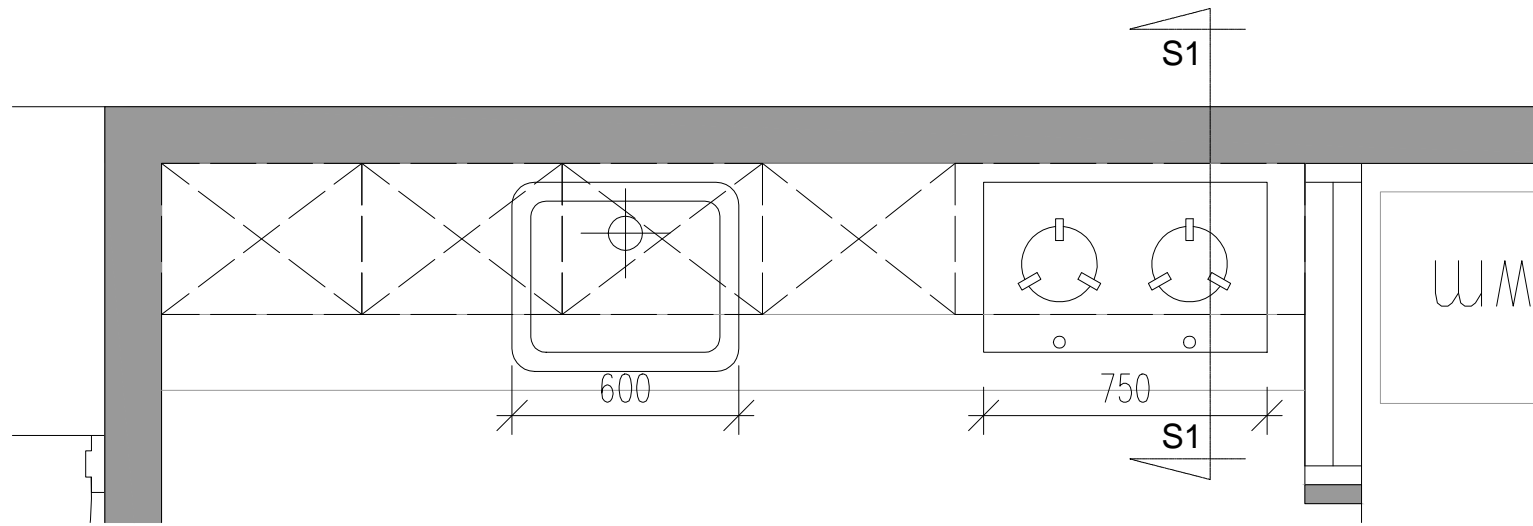
**PLAN VIEW**



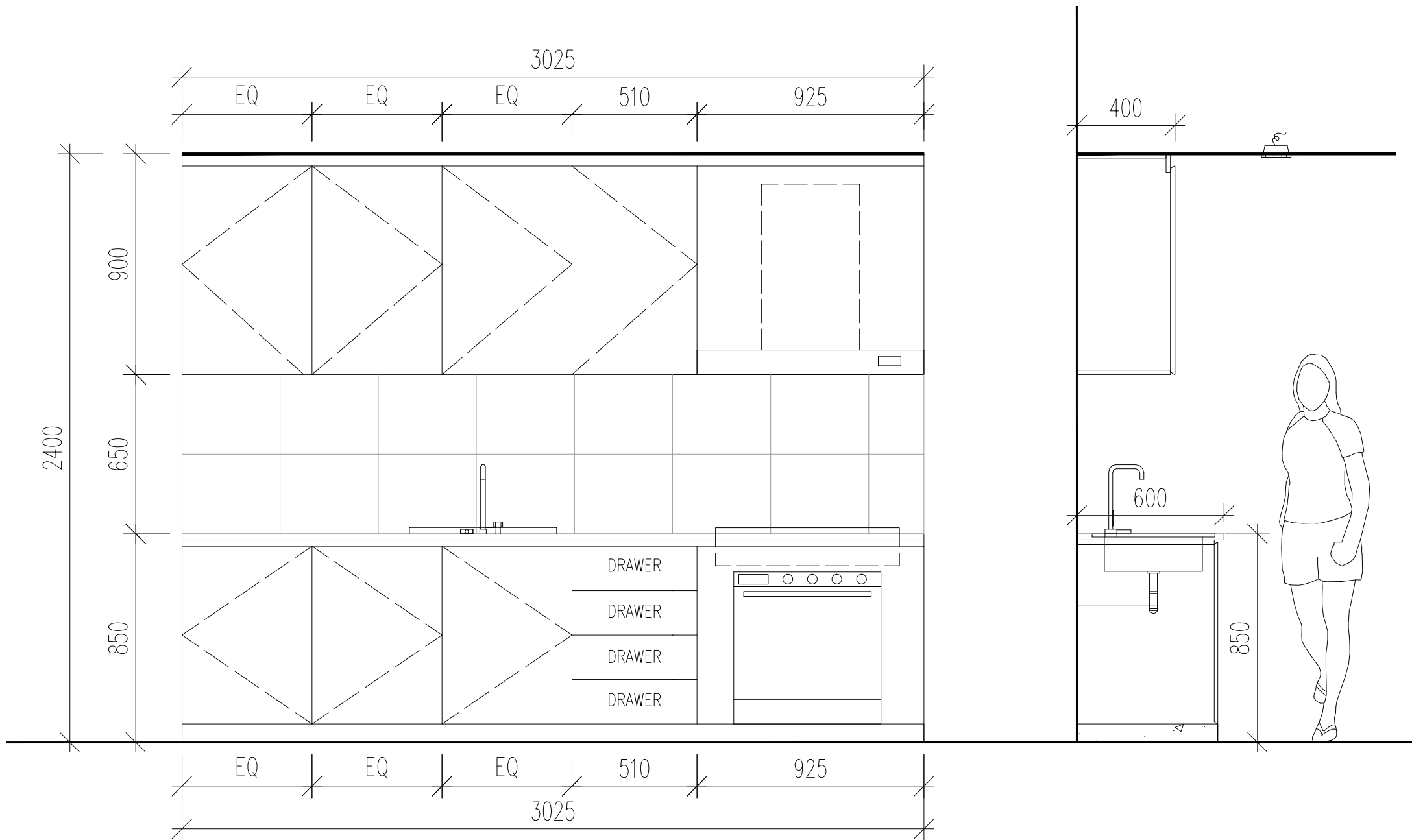
**SECTION 4-4**

**FRONT VIEW**

SKY AVANI I	B- 31-11	 <b>CNPS</b>
Drawing Title :		
<b>SIDE TABLE DETAIL</b>		
Draw by	CHIA NEE	
Scale	1 : 10	
Date	AUGUST 2018	
Drawing No.	D. 003	



PLAN VIEW



KITCHEN CABINET LAYOUT

SECTION 2-2

SKY AVANI I		B- 31-11	
Drawing Title :			
KITCHEN CABINET DETAIL			
Draw by	CHIA NEE		
Scale	1 : 20		
Date	AUGUST 2018		
Drawing No.	D. 004		



CNPS